

Parts Manual

ES220

Spreader





500 Venture Drive
Orrville Oh 44667
www.ventrac.com

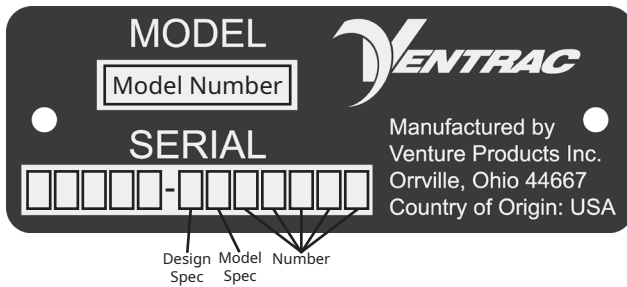
[View all manuals](#)



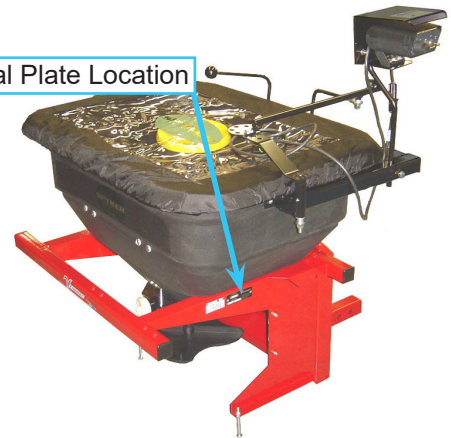
Visit ventrac.com/manuals for the latest version of this parts manual.

A downloadable operator's manual is also available.

Serial Number Description



Serial Plate Location



Notes

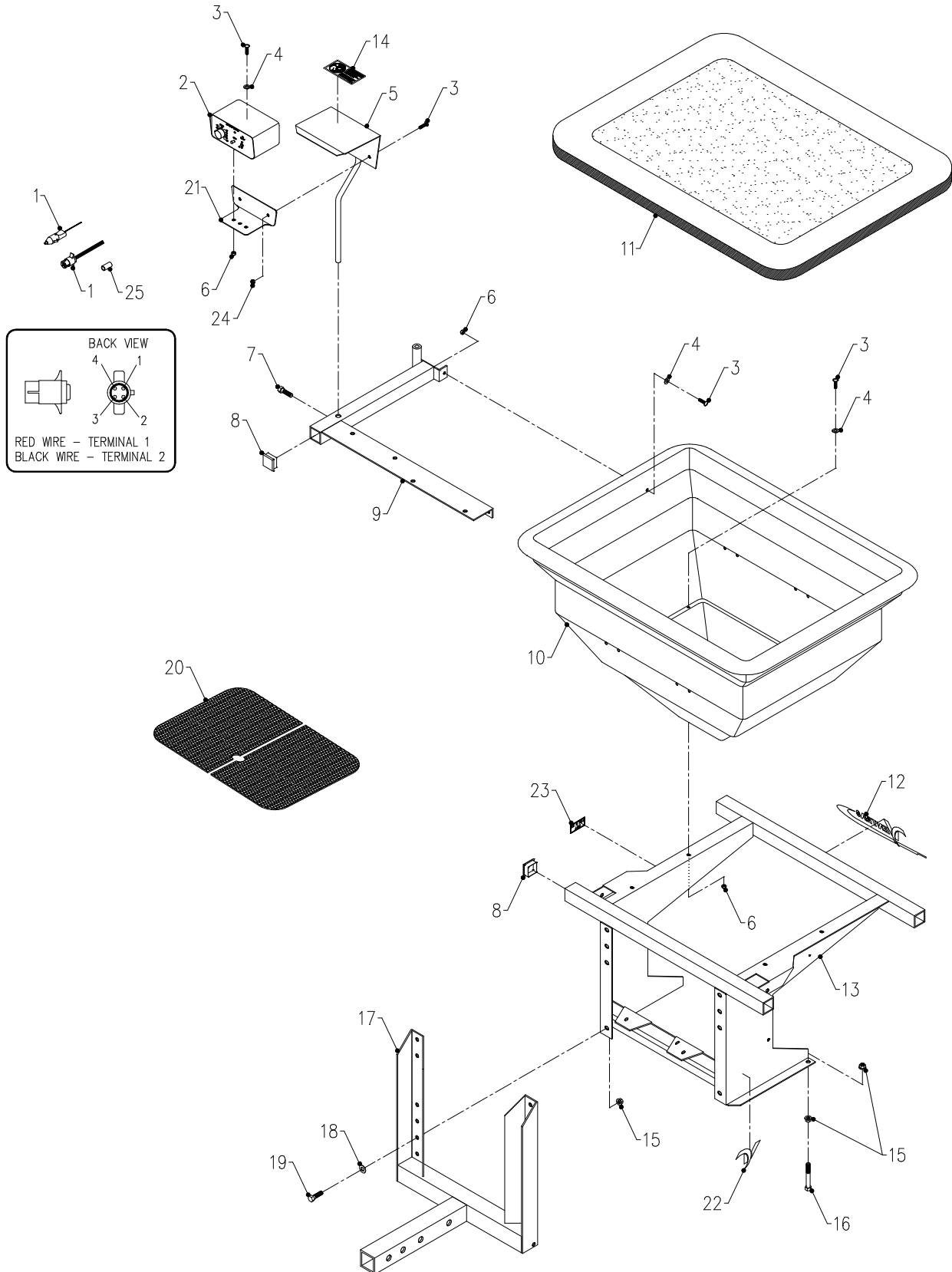
- If any component requires replacement, use only original Ventrac replacement parts.
- When ordering new components, be sure to order all required safety decals. All current safety decals must be affixed to the replacement components prior to installation of the component.

TABLE OF CONTENTS

PARTS	PAGE 4
Main Frame, Hopper, & Electronic Control.....	4
Gate & Diffuser Control Handles & Linkage.....	6
Motor & Spinner	8
Rate Dial, Gate, & Diffuser.....	10
Optional Weight Bar Hitch, Curtain Kit, Mulch Basket Spinner.....	12
70.8105 Cable Control Kit.....	14

PARTS

ILLUSTRATED DRAWING Main Frame, Hopper, & Electronic Control



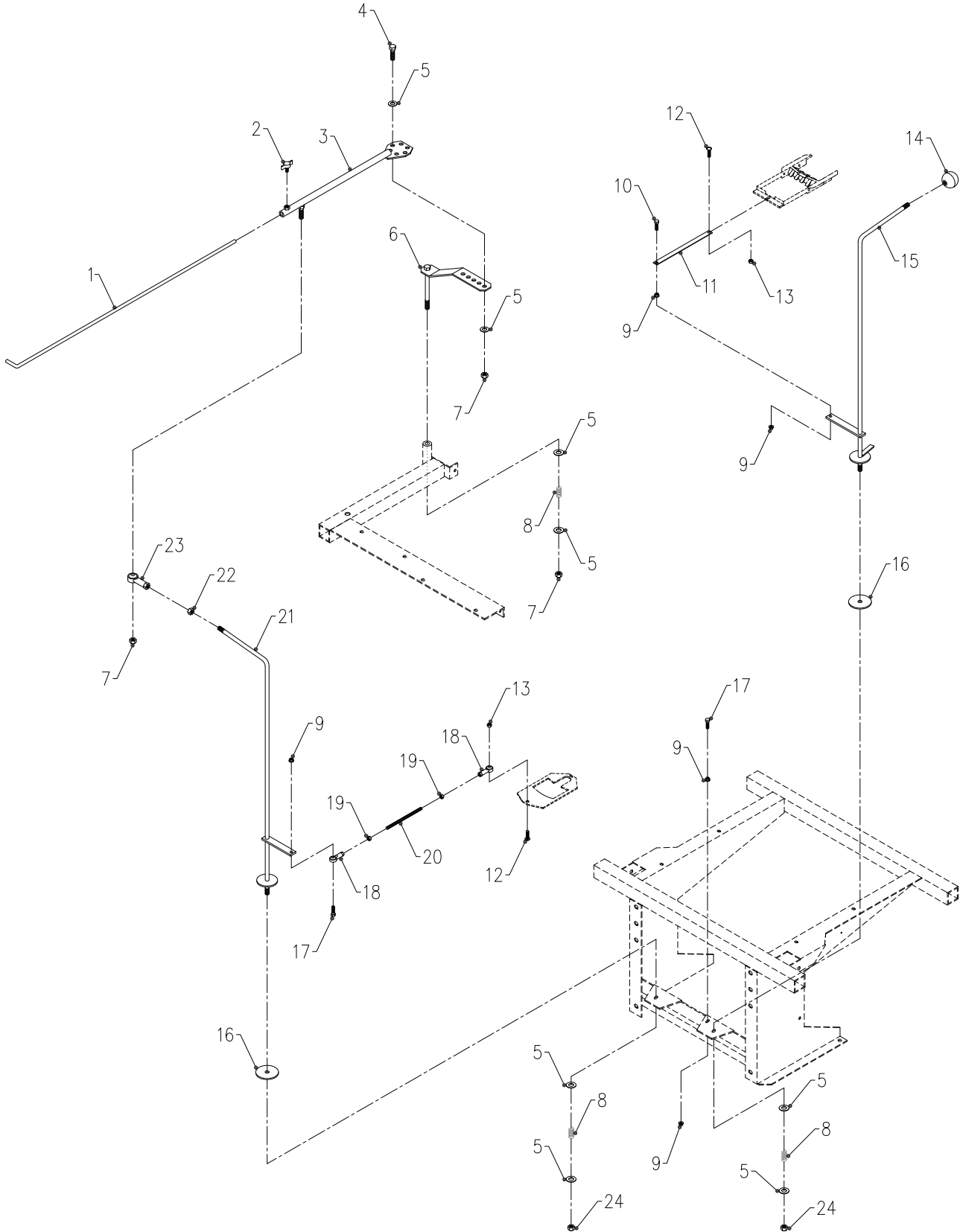
PARTS

Main Frame, Hopper, & Electronic Control

REF.	PART NO.	DESCRIPTION	QTY.
1	30.0222	.PLUG, MALE 12V POWER OUTLET (Serial # 1001-1288)	1
1	30.0218	.PLUG, TRAILER 4-PIN MALE (Serial # 1289-)	1
2	07.20128	.CONTROL, MOTOR VARIABLE SPEED	1
3	99.K0095	.MACHINE SCREW, 1/4 X 3/4 SS	12
4	05.0099	.WASHER, NYLON 1/4	10
5	64.1089	.BOX, ELECTRIC CONTROL	1
6	99.A04N-3	.LOCKNUT, NYLON 1/4-20 USS SS	10
7	90.0608	.BOLT, 3/8-16 USS X 1	1
8	05.0100	.PLUG, SQUARE 1-3/8 OD RIBBED	5
9	62.0996	.FRAME, CONTROL ARMS TOP MT	1
10	07.20106	.HOPPER, PLASTIC	1
11	07.20103	.COVER, HOPPER PLASTIC ES220	1
12	00.0212	.DECAL, VENTRAC ORBITAL	1
13	62.0995	.FRAME, MAIN	1
14	00.0217	.DECAL, WARNING READ OWNERS MAN (Serial # 1001-2006)	1
14	00.0619	.DECAL, READ OPERATOR'S MANUAL (Serial # 2007-)	1
15	99.SF06	.NUT, SRF 3/8-16 USS	8
16	90.0628	.BOLT, 3/8-16 USS X 3 1/2	2
17	62.0999	.FRAME, MAIN HITCH	1
18	95.06	.WASHER, FLAT 3/8 SAE	4
19	90.0606	.BOLT, 3/8-16 USS X 3/4	4
20	07.20127	.SCREEN, 2 PIECE	1
21	64.1307	.BRACKET, SPEED CONTROL MT	1
22	00.0192	.DECAL, V-DECAL DIE CUT BLUE	1
23	00.0100	.DECAL, MADE IN USA	1
24	99.SF04-3	.NUT, SRF 1/4-20 USS STAINLESS	2
25	27.T06-2-1IN	.TUBE, PVC CLEAR 3/8 OD X 1/4 ID X 1"	1

PARTS

ILLUSTRATED DRAWING Gate & Diffuser Control Handles & Linkage



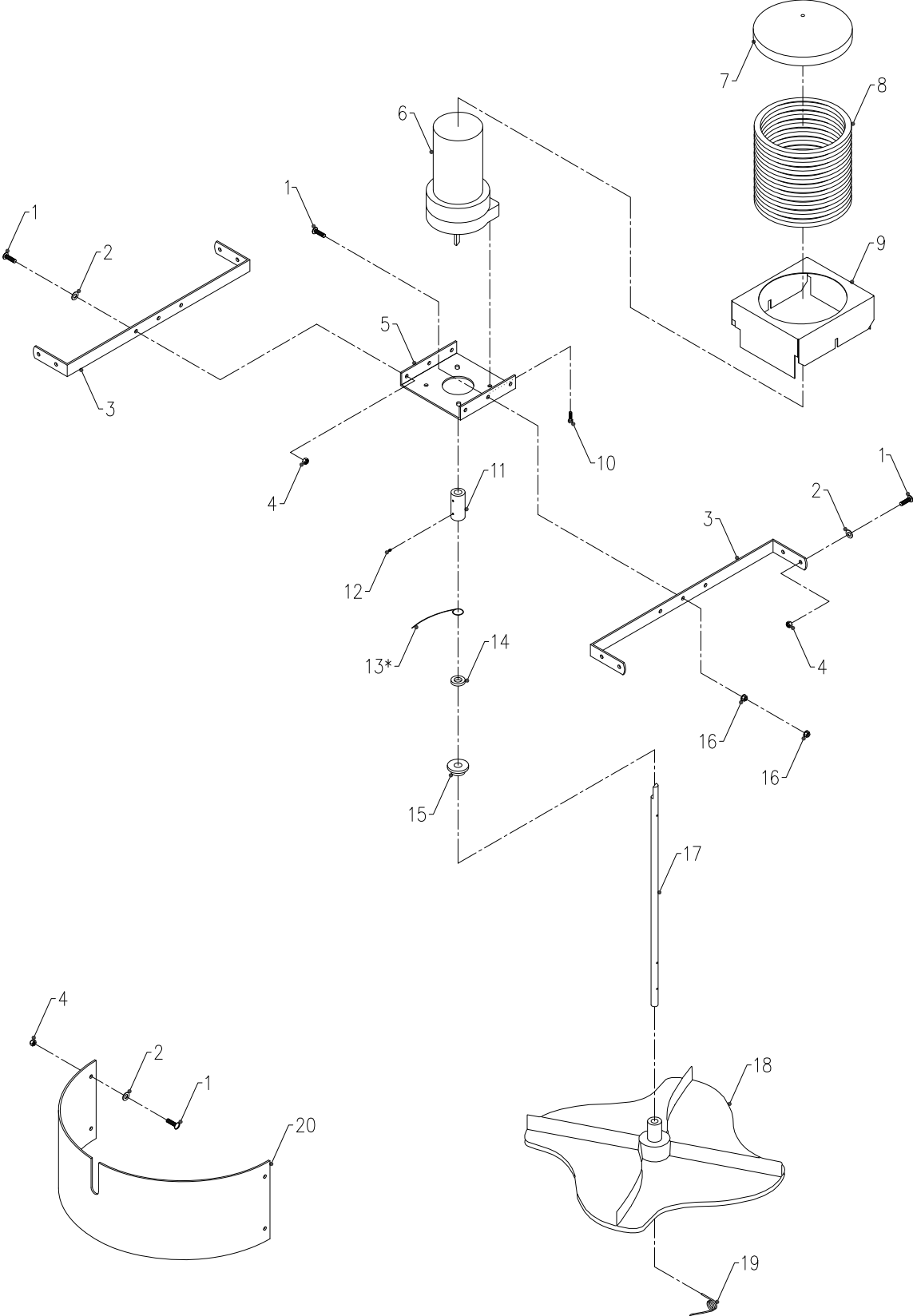
PARTS

Gate & Diffuser Control Handles & Linkage

REF.	PART NO.	DESCRIPTION	QTY.
1	42.0465	.ROD, CR 5/16 X 38L	1
2	47.0228	.THUMB SCREW, 5/16-18 X 5/8	1
3	62.0997	.TUBE, CONTROL LEVER MOUNT	1
4	90.0608	.BOLT, 3/8-16 USS X 1	1
5	95.06	.WASHER, FLAT 3/8 SAE	8
6	42.0464	.ARM, CONTROL HANDLE PIVOT	1
7	99.A06N	.LOCKNUT, NYLON 3/8-16	3
8	41.0039	.SPRING, COMP. 9/16 OD X 5/8	3
9	99.SF04	.NUT, SRF 1/4-20 USS	5
10	90.0410	.BOLT, 1/4-20 USS X 1 1/4	1
11	42.0463	.LINK, SS SPREAD CONTROL	1
12	99.K0095	.MACHINE SCREW, 1/4 X 3/4 SS	2
13	99.A04N-3	.LOCKNUT, NYLON 1/4-20 USS SS	2
14	47.0227	.KNOB, BALL 1-3/8 DIA 3/8-24	1
15	40.0315	.ARM, FLOW GATE ON/OFF	1
16	05.0098	.WASHER, 1/2ID X 2-1/4OD 1/8THK	2
17	90.0408	.BOLT, 1/4-20 USS X 1	2
18	43.004P	.ROD END, 1/4 SPHERICAL PLASTIC	2
19	93.04	.NUT, 1/4-28 SAE	2
20	99.J0440NFSS	.THREADED ROD, 1/4 SAE X 5" SS	1
21	40.0316	.ARM, SPREAD CONTROL	1
22	93.06	.NUT, 3/8-24 SAE	1
23	43.006	.ROD END, 3/8 SPHERICAL	1
24	99.A06NFN	.LOCKNUT, NYLON 3/8-24 SAE ZP	2

PARTS

ILLUSTRATED DRAWING Motor & Spinner



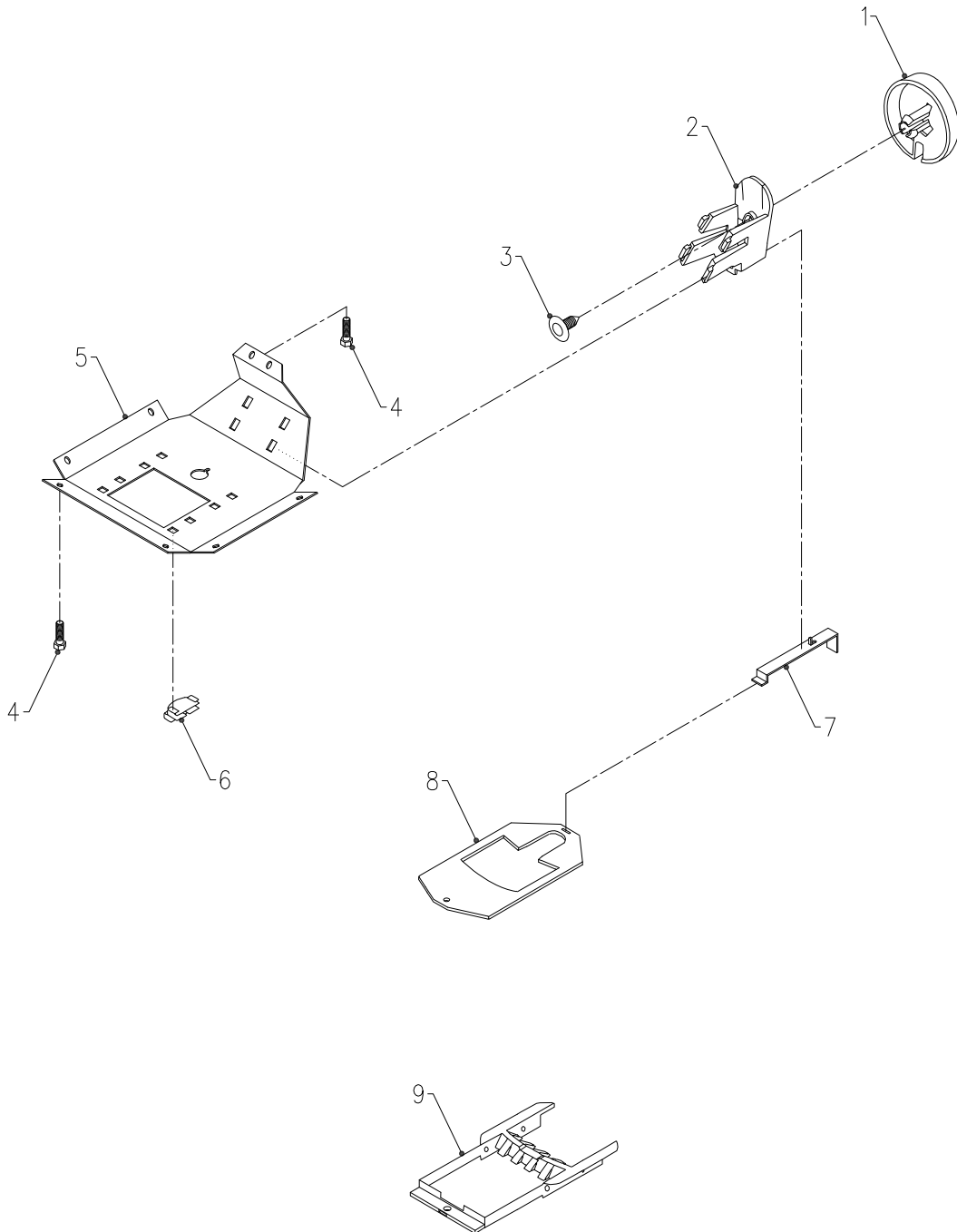
PARTS

Motor & Spinner

REF.	PART NO.	DESCRIPTION	QTY.
1	99.K0095	.MACHINE SCREW, 1/4 X 3/4 SS	18
2	05.0099	.WASHER, NYLON 1/4	16
3	07.20109	.BRACKET, MOTOR MOUNT	2
4	99.A04N-3	.LOCKNUT, NYLON 1/4-20 USS SS	16
5	07.20110	.PLATE, MOTOR MOUNT BASE	1
6	07.20105	.MOTOR, ELECTRIC GEAR ES220	1
7	47.0229	.CAP, VINYL YELLOW FLANGE COVER	1
8	47.0230	.TUBE, 6" DRAIN TILE X 6-3/4	1
9	60.0877	.COVER, MOTOR BASE	1
10	90.0404-3	.BOLT, 1/4-20 USS X 1/2 SS	4
11	07.20107	.COUPLING, SPINNER SHAFT	1
11	07.20123	.KEY, HEX (Not Shown)	1
12	85.SS24	.SET SCREW, 1/4-20 X 3/8 SS	2
13	07.20119	.WIRE, AGITATOR (For Seed & Pellet Mulch)	1
14	07.20124	.WASHER, FELT	1
15	07.20112	.BEARING, HOPPER BOTTOM	1
16	99.SF04-3	.NUT, SRF 1/4-20 USS STAINLESS	4
17	07.20108	.SHAFT, SPINNER	1
18	07.20120	.SPINNER, GREY PLASTIC	1
19	07.20122	.CLIP, SPINNER	1
20	07.20125	.SHIELD, DEFLECTOR	1

PARTS

ILLUSTRATED DRAWING Rate Dial, Gate, & Diffuser



PARTS

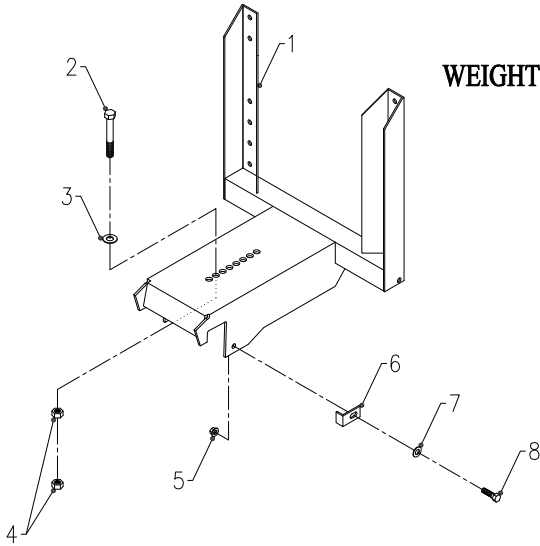
Rate Dial, Gate, & Diffuser

REF.	PART NO.	DESCRIPTION	QTY.
1	07.20117	.DIAL	1
2	07.20118	.MOUNT, DIAL	1
3	07.20121	.CLIP, PINE TREE	1
4	90.0404-3	.BOLT, 1/4-20 USS X 1/2 SS	8
5	07.20111	.PLATE, HOPPER BOTTOM	1
6	07.20113	.GUIDE, RATE GATE & DIFFUSER	4
7	07.20116	.LINKAGE, RATE GATE	1
8	07.20114	.GATE, RATE	1
9	07.20115	.ASSEMBLY, DIFFUSER	1

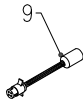
PARTS

ILLUSTRATED DRAWING

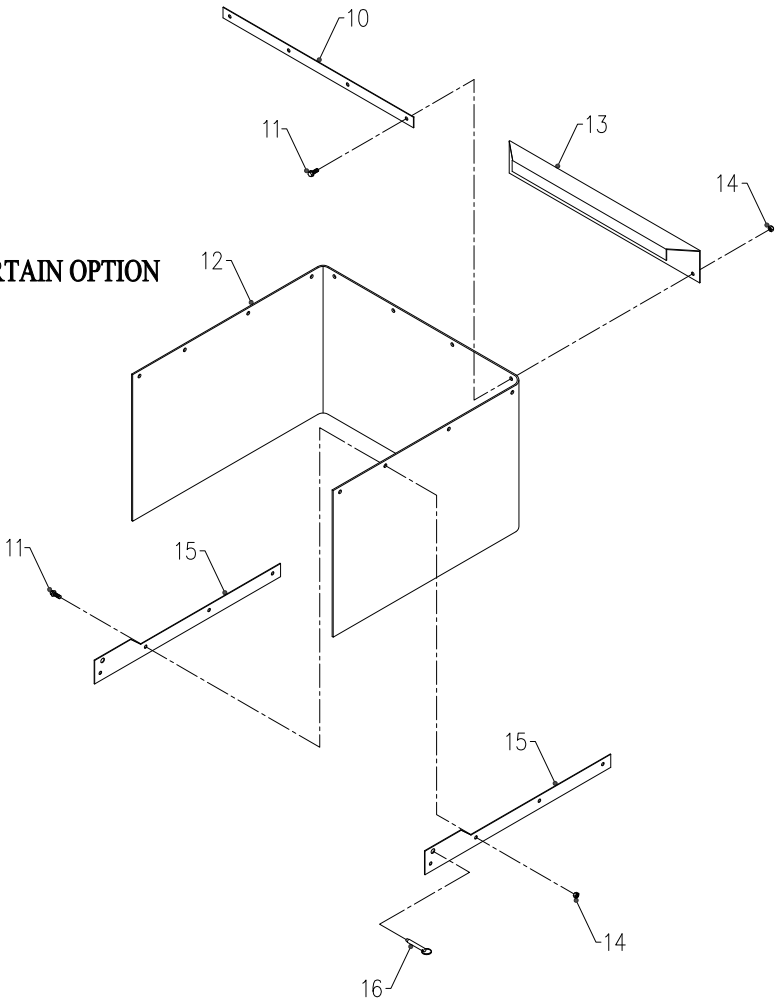
Optional Weight Bar Hitch, Curtain Kit, Mulch Basket Spinner



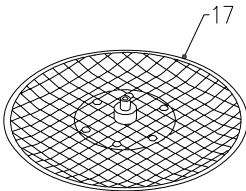
ELECTRICAL PLUG ADAPTER



CURTAIN OPTION



PELLET MULCH SPINNER BASKET



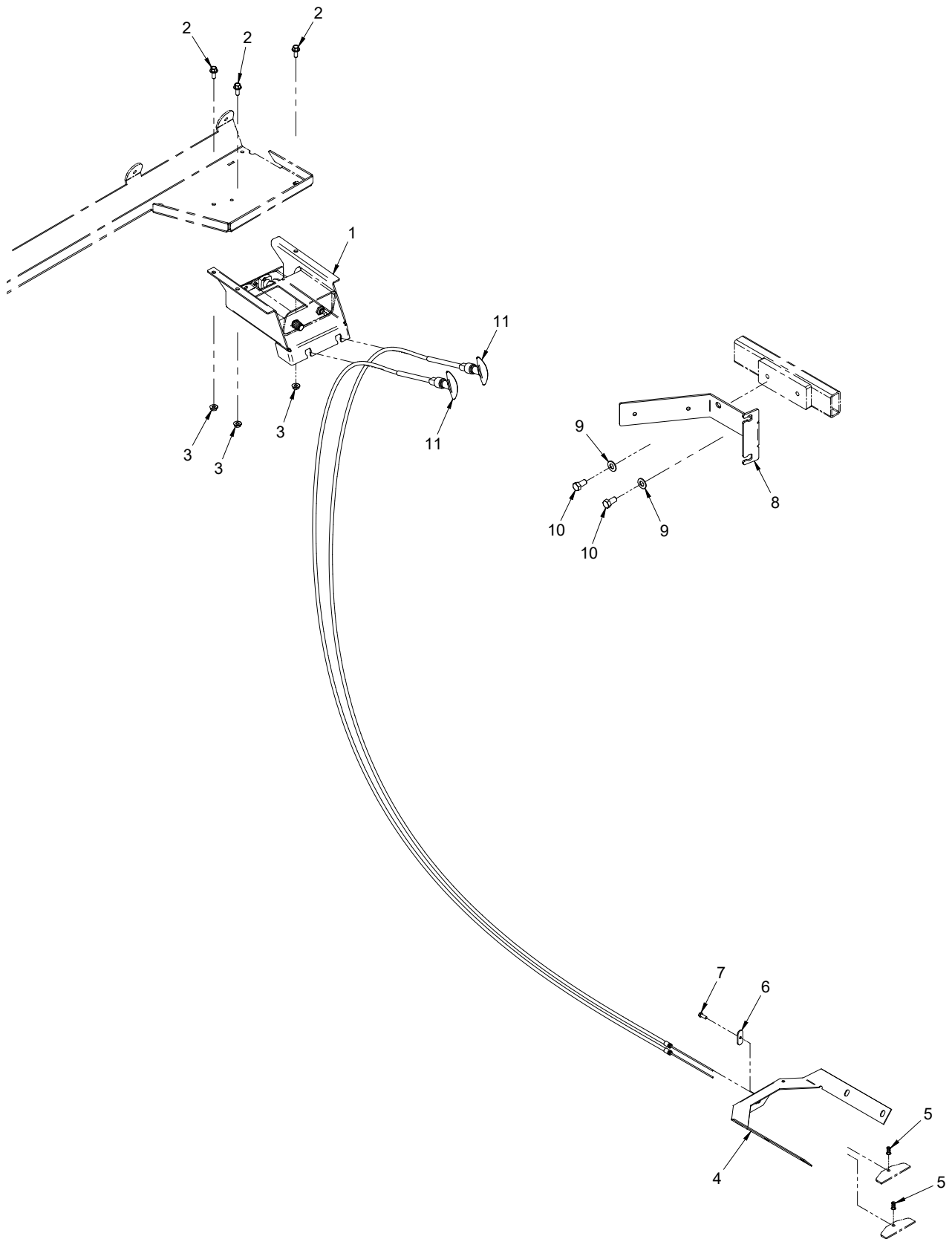
PARTS

Optional Weight Bar Hitch, Curtain Kit, Mulch Basket Spinner

REF.	PART NO.	DESCRIPTION	QTY.
1	62.0998	.HITCH, WEIGHT BAR ES220	1
2	90.0824	.BOLT, 1/2-13 USS X 3 (For Standard Hitch)	1
2	90.0848	.BOLT, 1/2-13 USS X 6 (For 3-Point Hitch)	1
3	94.08	.WASHER, FLAT 1/2 USS	1
4	92.08	.NUT, 1/2-13 USS	2
5	99.SF06	.NUT, SRF 3/8-16 USS	2
6	64.1093	.SHIM, HEIGHT ADJUSTMENT	4
7	95.06	.WASHER, FLAT 3/8 SAE	2
8	90.0608	.BOLT, 3/8-16 USS X 1	2
9	34.1400-1010	.ADAPTER, ELECTRIC 4 PIN TO 12V	1
10	64.1091	.CLAMP, CURTAIN BACKER BAR	1
11	90.0406	.BOLT, 1/4-20 USS X 3/4	12
12	44.0203	.RUBBER, CONTAINMENT CURTAIN	1
13	64.1090	.BRACKET, CURTAIN MOUNT	1
14	99.A04	.LOCKNUT, STOVER 1/4-20 USS	12
15	64.1092	.BRACKET, CURTAIN SIDE SUPPORT	4
16	03.0006	.PIN, BALL 3/8 X 1"	2
17	07.20102	.SPREADER, MULCH SPINNER BASKET	1

PARTS

ILLUSTRATED DRAWING 70.8105 Cable Control Kit



PARTS

70.8105 Cable Control Kit

REF.	PART NO.	DESCRIPTION	QTY.
1	64.1507	.BRACKET, KW350 ES220 CABLE	1
2	99.SF0405-1	.BOLT, SMF 1/4-20 X 5/8	3
3	99.SF04	.NUT, SRF 1/4-20 USS	3
4	47.0296	.BRACKET, CABLE MOUNT ES220	1
5	47.0295	.FASTENER, CABLE ES220	2
6	45.0049	.RETAINER, CABLE ES220	1
7	99.K0117	.BOLT, 10-32 X 1/2 SS	1
8	64.1508	.BRACKET, LW350 ES220 CABLE	1
9	95.06	.WASHER, FLAT 3/8 SAE	2
10	90.0606	.BOLT, 3/8-16 USS X 3/4	2
11	47.0294	.CABLE, CONTROL 8 FT	2